

FEATURES

- Excellent solderability and heat resistance.
- Magnetically shielded type inductor, possible to decrease reflection noise.
- Available for high density mount due to compact size.
- Accomplished low total harmonics distortion as compared with our current type.

APPLICATIONS

- Suitable as choke for digital amp. Car audio, LCD and PDP TV, 5.1ch Home theater, etc.

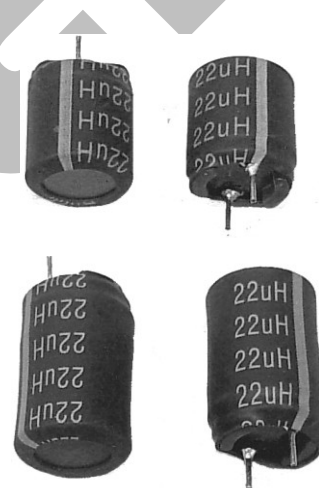
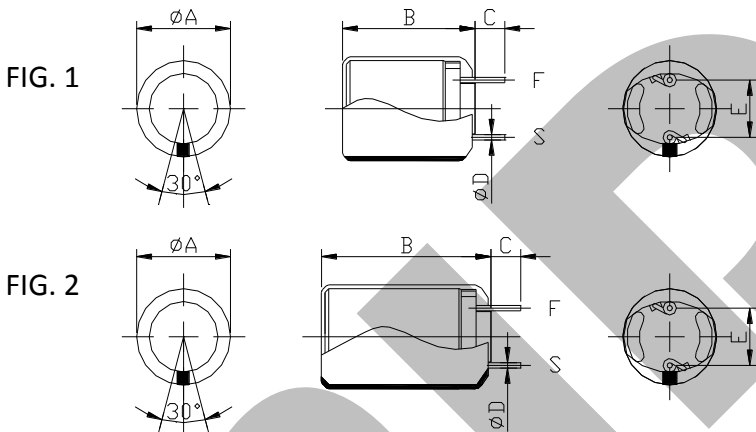
特 征

- 优秀的焊锡性及耐热性；
- 磁屏蔽型电感，可降低噪音；
- 缩小尺寸可用于高密度贴装。
- 减小了声音失真。

用 途

- 适用于数字功放扼流。如汽车音响，LCD 电视和 PDP 电视，5.1 声道家庭影院等。

DIMENSIONS (mm)



TYPE	A(MAX)	B(MAX)	C(REF)	D(±0.10)	E(±0.50)	FIG.
RTB1213B	13.50	18.50	3.50	0.70	7.50	1
RTB1218B	13.50	23.50	3.50	0.70	7.50	2

ELECTRICAL CHARACTERISTICS

CODE	Inductance (uH) ±25%		DC resistance (mΩ) max		Rated DC current (A) max		Allowable current (A) max	
	1213B	1218B	1213B	1218B	1213B	1218B	1213B	1218B
-100	10	10	30(16.0)	30(15.0)	10.0	10.0	8.0	10.0
-120	12	12	30(20.0)	30(17.5)	9.0	9.5	7.0	8.5
-150	15	15	30(22.0)	30(19.0)	8.0	8.5	6.0	8.0
-220	22	22	50(35.0)	50(28.0)	6.5	6.5	5.5	7.0
-330	33	33	100(45.0)	50(35.0)	5.0	5.0	5.0	6.0
-470	47	47	100(70.0)	100(50.0)	4.5	4.5	4.0	5.0

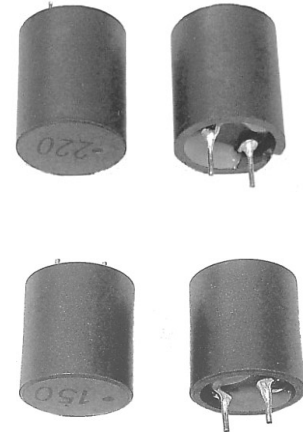
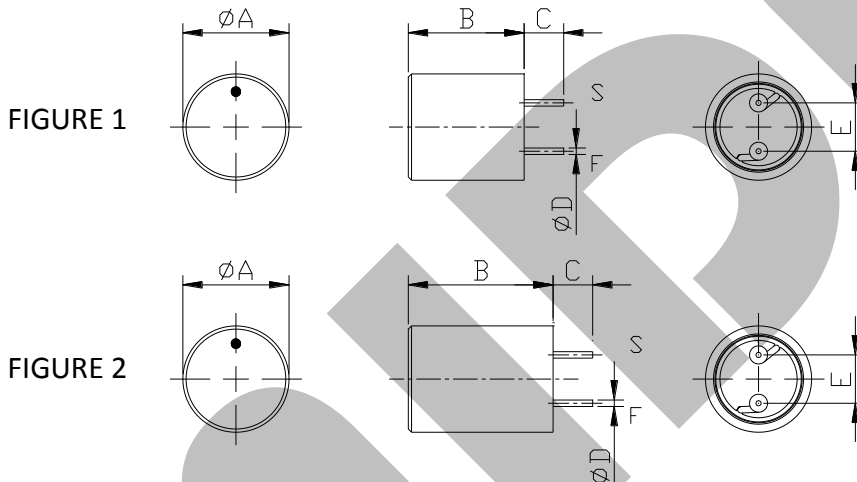
FEATURES

- Excellent solderability and heat resistance.
- Magnetically shielded type inductor, possible to decrease reflection noise.
- Available for high density mount due to compact size.
- Accomplished low total harmonics distortion as compared with our current type.

APPLICATIONS

- Suitable as choke for digital amp. Car audio, LCD and PDP TV, 5.1ch Home theater, etc.

DIMENSIONS (mm)



特 征

- 优秀的焊锡性及耐热性;
- 磁屏蔽型电感, 可降低噪音;
- 缩小尺寸可用于高密度贴装;
- 减小了声音失真。

用 途

- 适用于数字功放扼流。如汽车音响, LCD 电视和 PDP 电视, 5.1 声道家庭影院等。

TYPE	A(±0.5)	B(MAX)	C(REF)	D(±0.10)	E(±0.50)	FIG.
RTB1619	16.5	20.0	5.0	0.8	7.5	1
RTB1622	16.5	24.0	5.0	0.8	7.5	2

ELECTRICAL CHARACTERISTICS

CODE	Inductance (uH) ± 25%		DC resistance (mΩ) max		Rated DC current (A) max		Allowable current (A) max	
	1619	1622	1619	1622	1619	1622	1619	1622
-100	10	10	8.5	10	10	12	12	11
-120	12	12	10	12	9	11	11	10.5
-150	15	15	12	15	8	10	10.5	10
-220	22	22	16	18	6.5	7	8.5	9.5
-330	33	33	22	20	5	6	8	9
-470	47	47	30	30	3.5	5	7	8

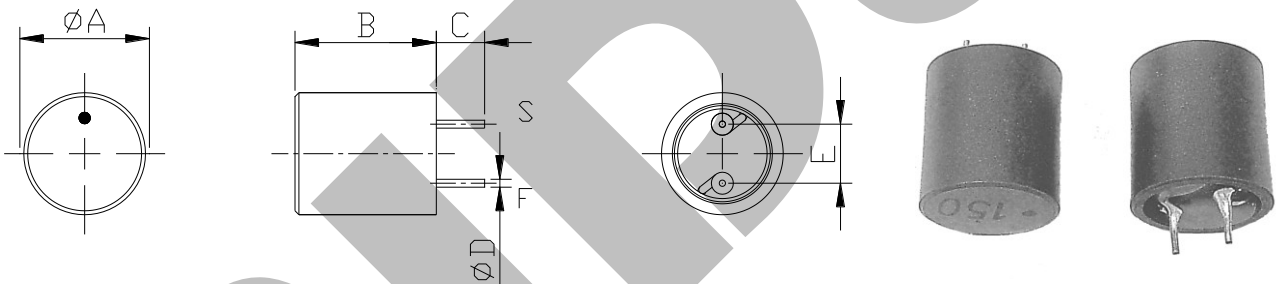
FEATURES

- Excellent solderability and heat resistance.
- Magnetically shielded type inductor, possible to decrease reflection noise.
- Available for high density mount due to compact size.
- Accomplished low total harmonics distortion as compared with our current type.

APPLICATIONS

- Suitable as choke for digital amp. Car audio, LCD and PDP TV, 5.1ch Home theater, etc.

DIMENSIONS (mm)



特 征

- 优秀的焊锡性及耐热性；
- 磁屏蔽型电感，可降低噪音；
- 缩小尺寸可用于高密度贴装；
- 减小了声音失真。

用 途

- 适用于数字功放扼流。如汽车音响，LCD 电视和 PDP 电视，5.1 声道家庭影院等。

TYPE	A(±0.5)	B(MAX)	C(REF)	D(±0.10)	E(±0.50)	FIG.
RTB1519	15.5	20.0	5.0	0.8	7.5	1

ELECTRICAL CHARACTERISTICS

CODE	Inductance (uH) ± 25%	DC resistance (mΩ) max	Rated DC current (A) max	Allowable current (A) max
-100	10	15 (9.8)	8.0	9.0
-150	15	18 (11.0)	6.0	8.5
-220	22	20 (13.8)	5.5	8.0
-330	33	25 (17.3)	4.5	7.5
-470	47	30 (21.0)	3.5	7.0

FEATURES

- Excellent solderability and heat resistance.
- Magnetically shielded type inductor, possible to decrease reflection noise.
- Available for high density mount due to compact size.
- Accomplished low total harmonics distortion as compared with our current type.

特 征

- 优秀的焊锡性及耐热性；
- 磁屏蔽型电感，可降低噪音；
- 缩小尺寸可用于高密度贴装；
- 减小了声音失真。

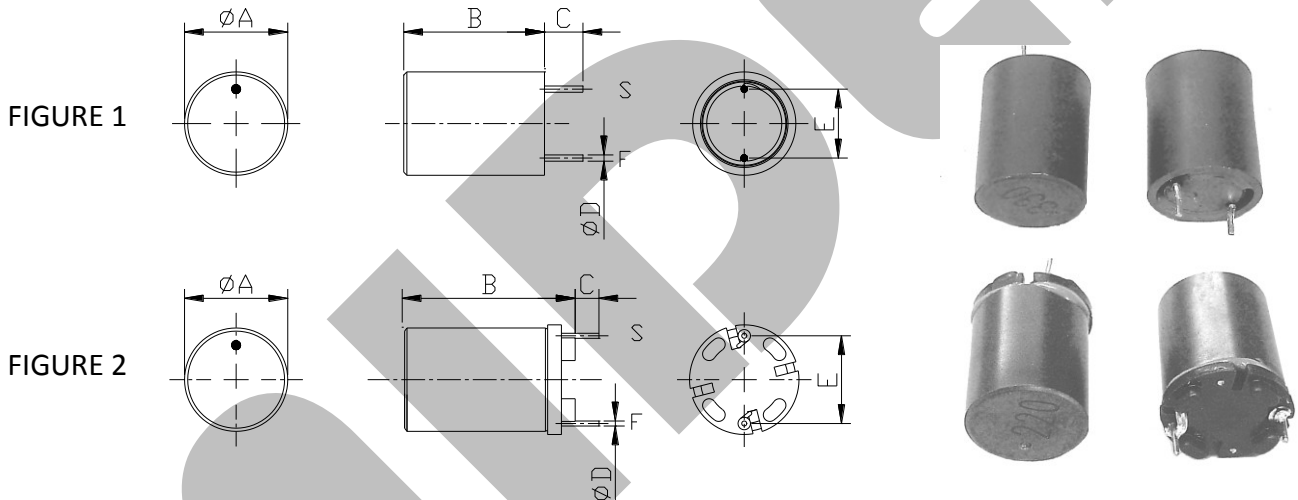
APPLICATIONS

- Suitable as choke for digital amp. Car audio, LCD and PDP TV, 5.1ch Home theater, etc.

用 途

- 适用于数字功放扼流。如汽车音响，LCD 电视和 PDP 电视，5.1 声道家庭影院等。

DIMENSIONS (mm)



TYPE	A	B(MAX)	C(REF)	D(±0.10)	E(±0.50)	FIG.
RTB1622HP	16.5 ± 0.5	24.0	5.0	0.8	7.5	1
RTB1622B	18.0 MAX	28.0	4.0	0.8	14.0	2

ELECTRICAL CHARACTERISTICS

CODE	Inductance (uH) ± 25%		DC resistance (mΩ) max		Rated DC current (A) max		Allowable current (A) max	
	1622HP	1622B	1622HP	1622B	1622HP	1622B	1622HP	1622B
-100	10	10	10	20	13	15	11	9
-120	12	12	12	22	12	14	10.5	8.5
-150	15	15	15	25	10	12	10	8
-220	22	22	18	30	9	11	9.5	7.5
-330	33	33	20	40	6	10	9	7
-470	47	47	30	55	5	8	8	6