

**FEATURES**

- Magnetically shielded and assembled type inductor, possible to decrease noise.
- Very high DC saturation current.
- Low core loss and very low DC resistance.
- Suitable for wave soldering operations.

**特 征**

- 磁屏蔽组装式电感，可有效防止噪音；
- 超高饱和电流；
- 低损耗及超低直流电阻。
- 适合波峰焊接作业。

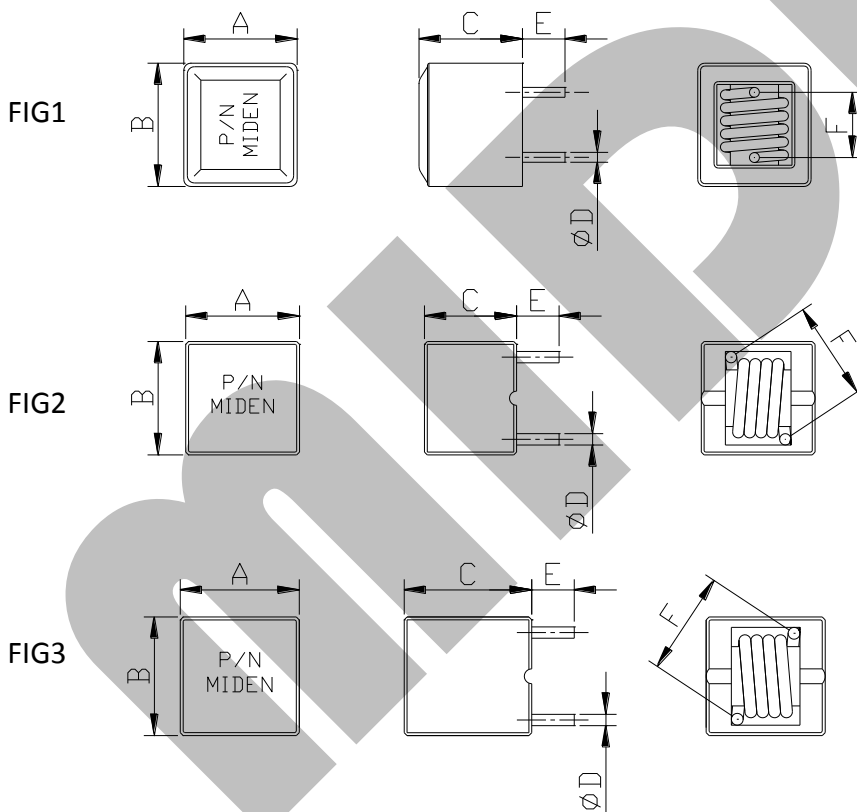
**APPLICATIONS**

- Suitable as circuit for digital amp, Motherboard and display card for computer DC/DC converter, etc.

**用 途**

- 适用于数字功放电路，电脑主机板和显卡 DC/DC 转换等。

**SHAPES AND DIMENSIONS (mm)**



TYPE	A(±0.5)	B(±0.5)	C(±0.5)	D(±0.5)	E(Ref.)	F(±0.5)	FIG
SPR0708I-	8.7	8.0	7.3	By each P/N	3.0	4.5	1
SPR0806I/F-	8.0	8.0	6.4	By each P/N	3.0	6.5	2
SPR0809F-	8.4	8.0	9.0	By each P/N	3.0	6.5	3

**FEATURES**

- Magnetically shielded and assembled type inductor, possible to decrease noise.
- Very high DC saturation current.
- Low core loss and very low DC resistance.
- Suitable for wave soldering operations.

**APPLICATIONS**

- Suitable as circuit for digital amp, Motherboard and display card for computer DC/DC converter, etc.

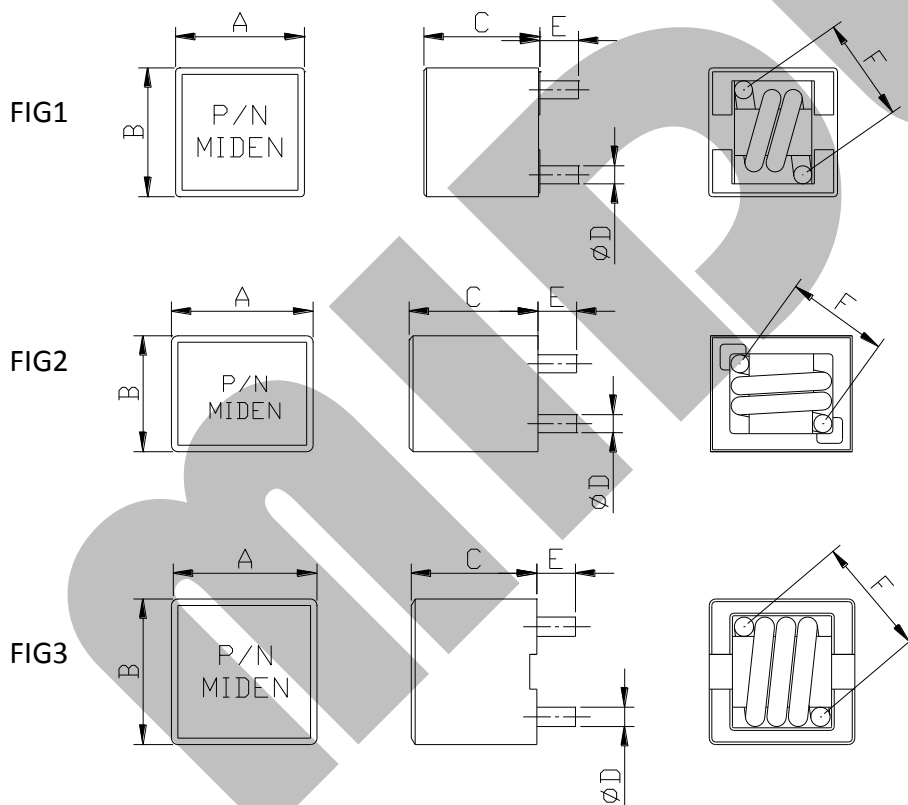
**特 征**

- 磁屏蔽组装式电感，可有效防止噪音；
- 超高饱和电流；
- 低损耗及超低直流电阻。
- 适合波峰焊接作业。

**用 途**

- 适用于数字功放电路，电脑主机板和显卡 DC/DC 转换等。

**SHAPES AND DIMENSIONS (mm)**



TYPE	A( $\pm 0.5$ )	B( $\pm 0.5$ )	C( $\pm 0.5$ )	D( $\pm 0.5$ )	E(Ref.)	F( $\pm 0.5$ )	FIG
SPR1009I/F-	10.0	10.0	9.0	By each P/N	3.0	8.0	1
SPR1110I-	11.0	9.0	10.0	By each P/N	3.0	8.0	2
SPR1110F-	11.3	11.3	9.75	By each P/N	3.0	8.5	3

**FEATURES**

- Magnetically shielded and assembled type inductor, possible to decrease noise.
- Very high DC saturation current.
- Low core loss and very low DC resistance.
- Suitable for wave soldering operations.

**APPLICATIONS**

- Suitable as circuit for digital amp, Motherboard and display card for computer DC/DC converter, etc.

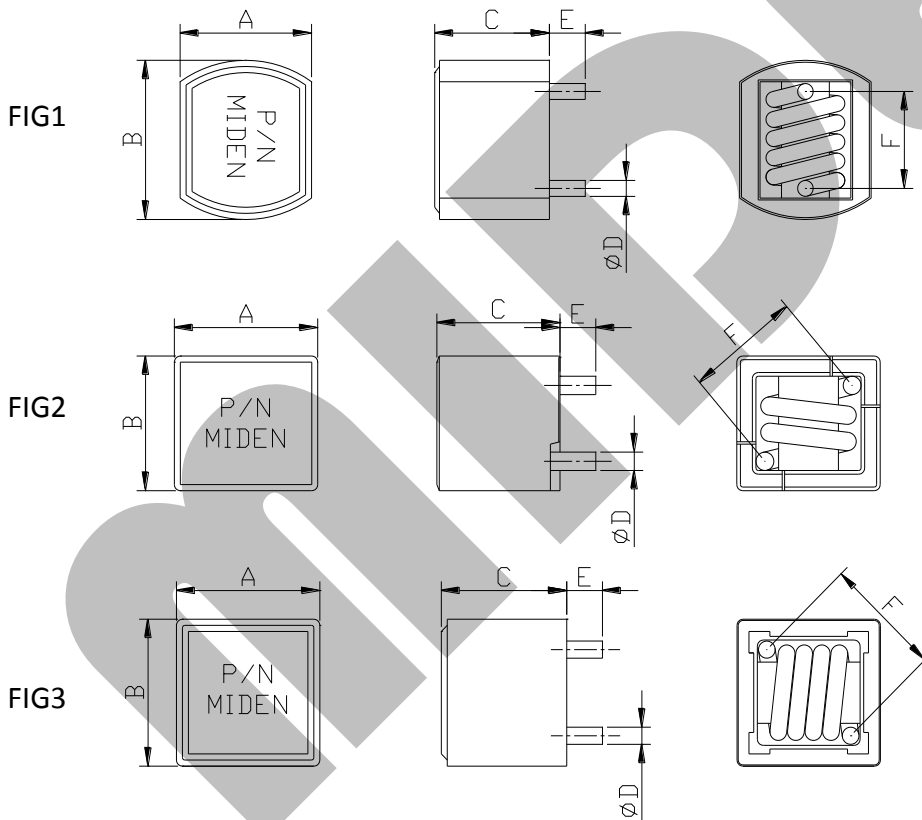
**特 征**

- 磁屏蔽组装式电感，可有效防止噪音；
- 超高饱和电流；
- 低损耗及超低直流电阻。
- 适合波峰焊接作业。

**用 途**

- 适用于数字功放电路，电脑主机板和显卡 DC/DC 转换等。

**SHAPES AND DIMENSIONS (mm)**



TYPE	A(±0.5)	B(±0.5)	C(±0.5)	D(±0.5)	E(Ref.)	F(±0.5)	FIG
CPR1309I-	11.0	13.0	9.5	By each P/N	3.0	8.0	1
SPR1211F-	12.0	11.0	10.3	By each P/N	3.0	8.5	2
SPR1211I-	12.5	11.0	10.2	By each P/N	3.0	9.0	2
SPR1212I-	12.0	12.0	10.5	By each P/N	3.0	9.5	3

**FEATURES**

- Magnetically shielded and assembled type inductor, possible to decrease noise.
- Very high DC saturation current.
- Low core loss and very low DC resistance.
- Suitable for wave soldering operations.

**APPLICATIONS**

- Suitable as circuit for digital amp, Motherboard and display card for computer DC/DC converter, etc.

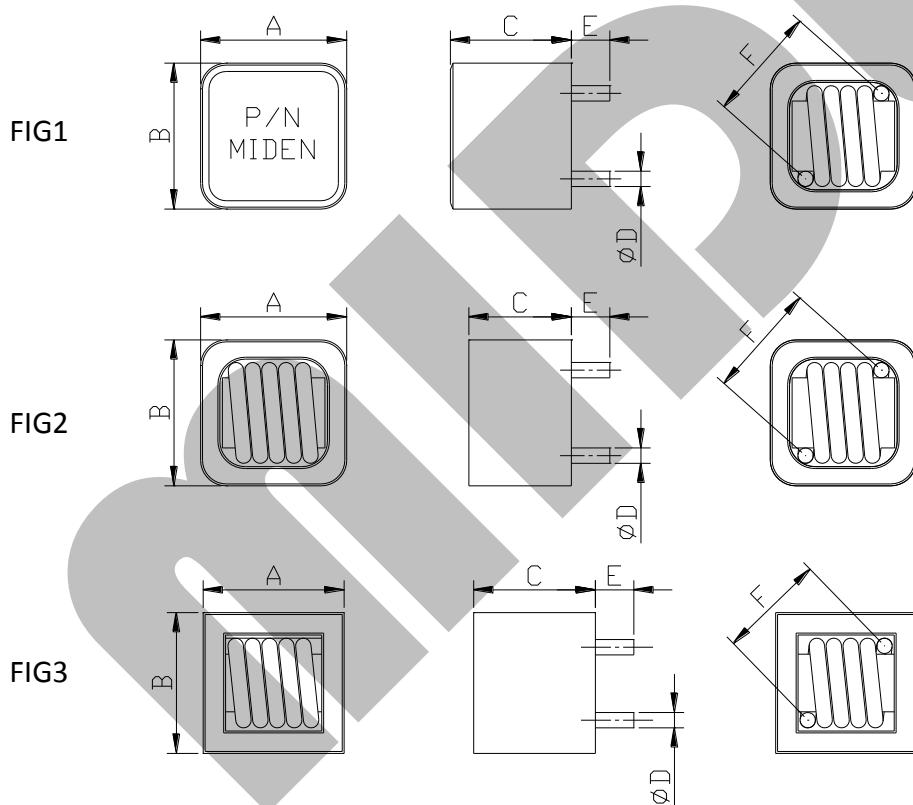
**特 征**

- 磁屏蔽组装式电感，可有效防止噪音；
- 超高饱和电流；
- 低损耗及超低直流电阻。
- 适合波峰焊接作业。

**用 途**

- 适用于数字功放电路，电脑主机板和显卡 DC/DC 转换等。

**SHAPES AND DIMENSIONS (mm)**



TYPE	A(±0.5)	B(±0.5)	C(±0.5)	D(±0.5)	E(Ref.)	F(±0.5)	FIG
SPR1109I	11.3	11.3	9.5	By each P/N	3.0	9.0	1
SHR1108I-	11.3	11.3	8.0	By each P/N	3.0	9.0	2
SHR1109F-	11.0	11.0	9.5	By each P/N	3.0	8.5	3